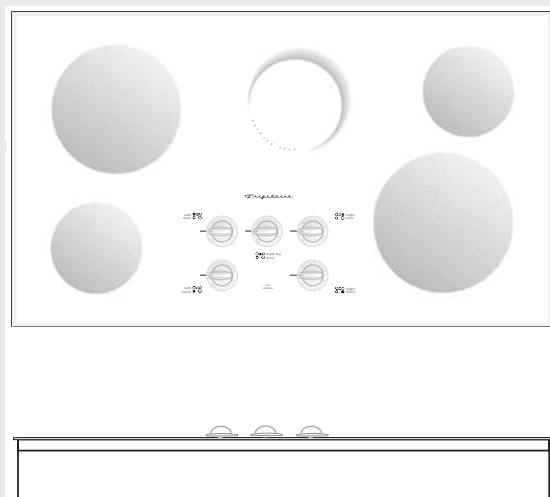


Frigitidair

Factory Parts Catalog



Product No.	FEC36S6EBB	FEC36S6ESB
	3805442355462	3805443355412
Series	36" electric	36" electric
Color	black	white
Market	North America	North America
Wiring Diagram	318046825	318046825
Owner's Guide	318200628	318200628
Installation Instructions	318201426	318201426

 **Electrolux**

Electrolux Major Appliances
North & Latin America
P.O. BOX 212378
AUGUSTA, GA 30917

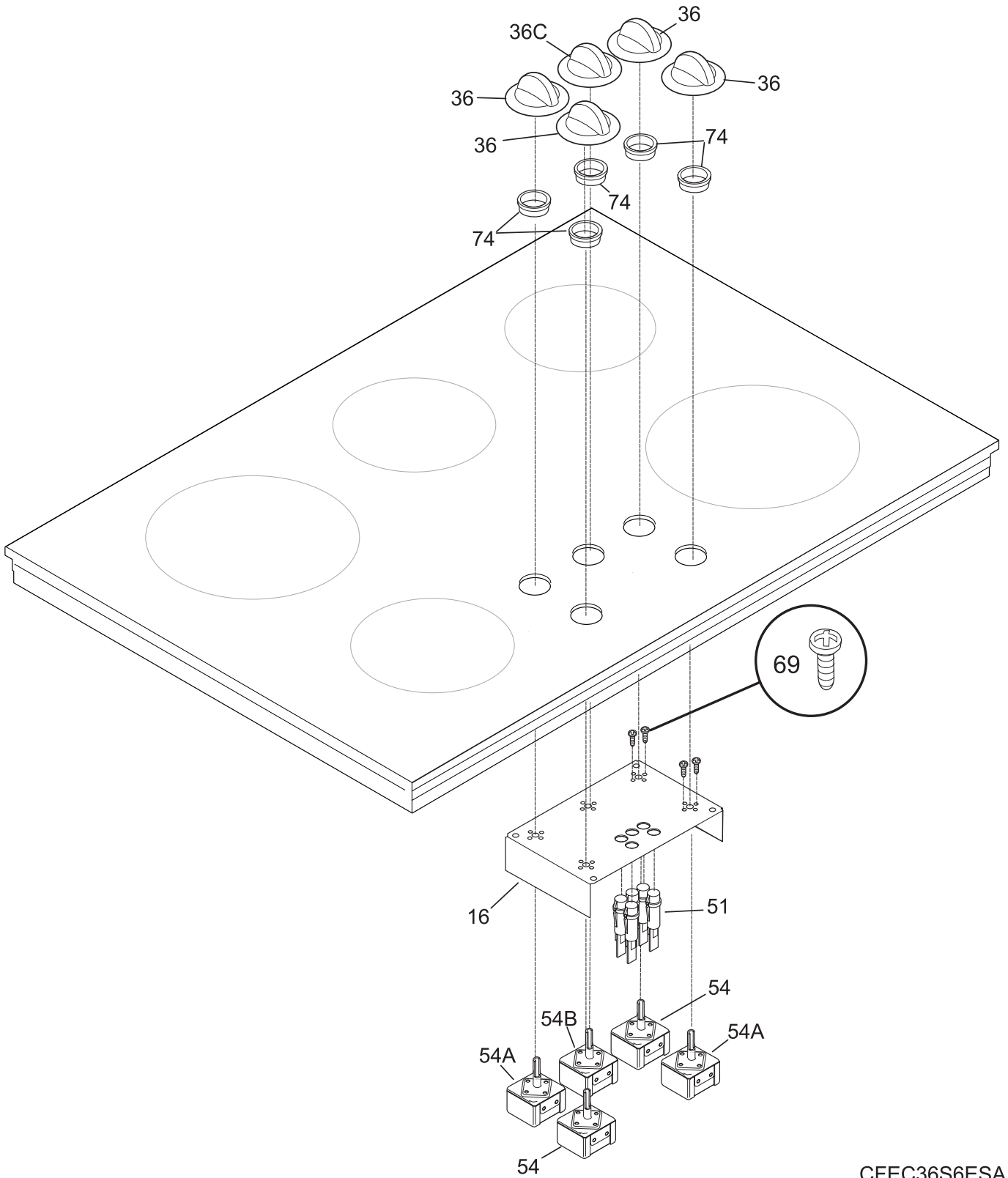
Publication No.
5995477170
06/10/19
(EN/SERVICE/BJH)
377

**ELECTRIC COOK-TOP
RANGE**

Model No.
FEC36S6E / FEC30S6E

Copyright © 2006 Electrolux Home Products, Inc.
All rights reserved.

CONTROL PANEL



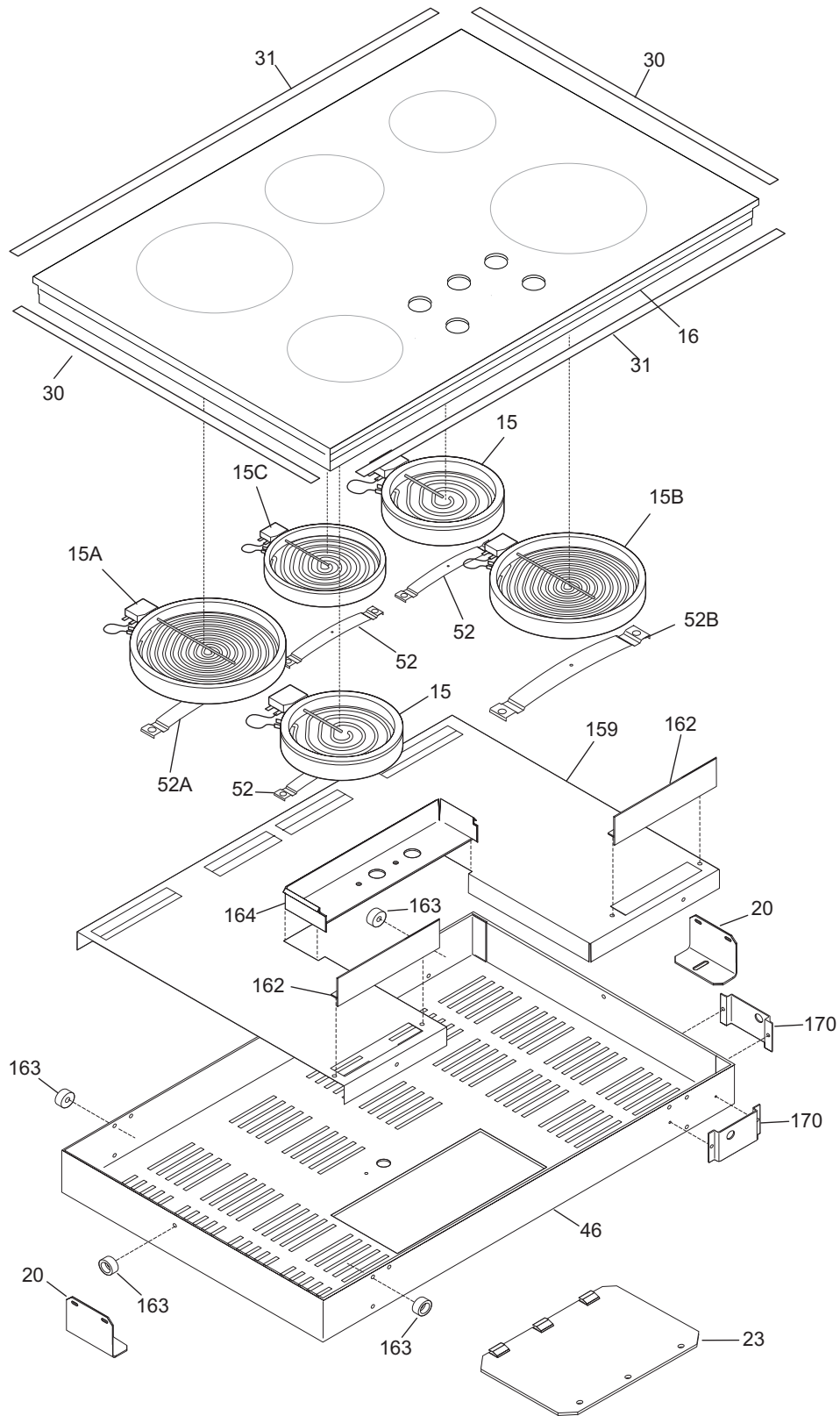
CFEC36S6ESA

CONTROL PANEL

Model Index: A FEC36S6E (FEC36S6EBB)
 B FEC36S6E (FEC36S6ESB)

POS. NO	PART NO.		DESCRIPTION
16	318096332	A B	Box, instrument mtg
36	318196634	A -	Knob, control, black
36	318196633	- B	Knob, control, white
36C	318196637	A -	Knob, warmer, black
36C	318196636	- B	Knob, warmer, white
51 #	318044823	A B	Light, indicator, 125v, (6)
54 #	318369609	A B	Switch, surface unit, small, single
54A#	318369610	A B	Switch, surface unit, large, single
54B#	318078801	A B	Switch, element, 6", warmer
69	5303323134	A B	Screw, 8-32 x 0.188
74	318148900	A B	Bushing, switch
*	5303323140	A B	Screw, ground, 10-32 x 0.375
*	5303300265	A B	Screw, 8-18 X 1/2, (2)

MAIN TOP/SURFACE UNITS



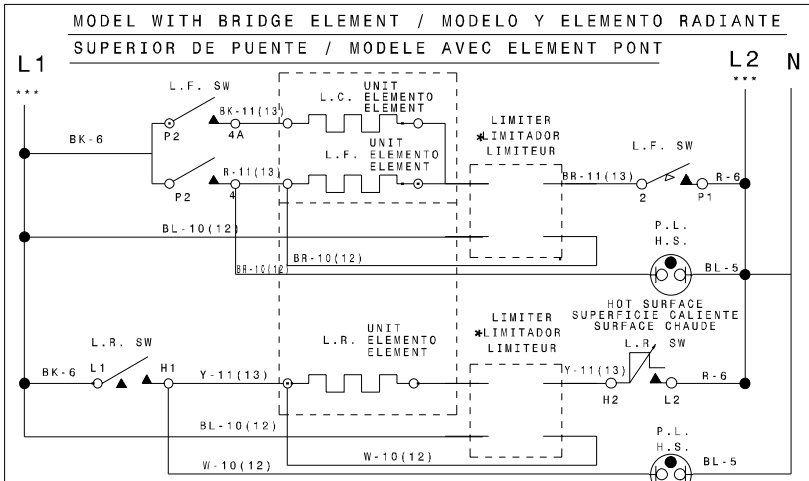
TFEC36S6ESB

MAIN TOP/SURFACE UNITS

Model Index: A FEC36S6E (FEC36S6EBB)
 B FEC36S6E (FEC36S6ESB)

POS. NO	PART NO.		DESCRIPTION
15	318198830	A B	Element, surface, 6", 1200 W, (2)
15A#	318198834	A B	Element, surface, large/8", 2200 W
15B#	318198835	A B	Element, surface, 9", 2500 W
15C#	318198843	A B	Element, surface, warmer, 100 W
16	318079426	A -	Main Top, black
16	318079425	- B	Main Top, white
20	318121902	A B	Bracket, retainer
23	5303297401	A B	Panel, service
30	318052604	A B	Gasket, glass, 20.25", side, (2)
31	318052606	A B	Gasket, glass, 30.25", front/back, (2)
46	318077227	A B	Burner Box
52	318122006	A B	Spring, element mtg, small
52A	318122007	A B	Spring, element mtg, large
52B	318122010	A B	Spring, element mtg, 3000W
159	318125122	A B	Deflector
162	318125211	A B	Deflector
163	318014110	A B	Spacer, (6)
164	318125302	A B	Plate, connection
170	318124910	A B	Screen, thermal, (4)
* #	318078559	A B	Box & wires assy
*	318199464	A B	Harness, wiring
*	08016432	A B	Screw, truss head, 8-18 x 0.375
*	5303300265	A B	Screw, 8-18 X 1/2, (2)
*	5303323129	A B	Screw, 8 X 0.750
*	5303323140	A B	Screw, ground, 10-32 x 0.375

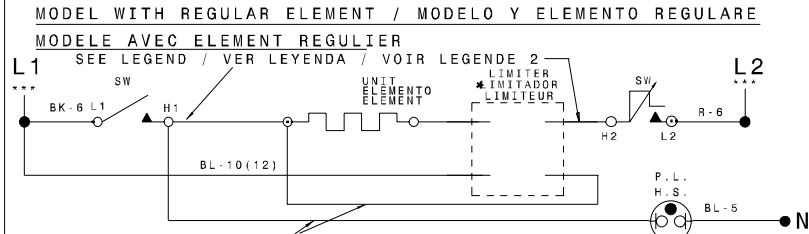
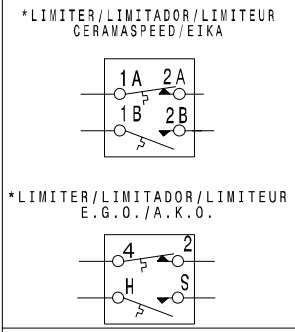
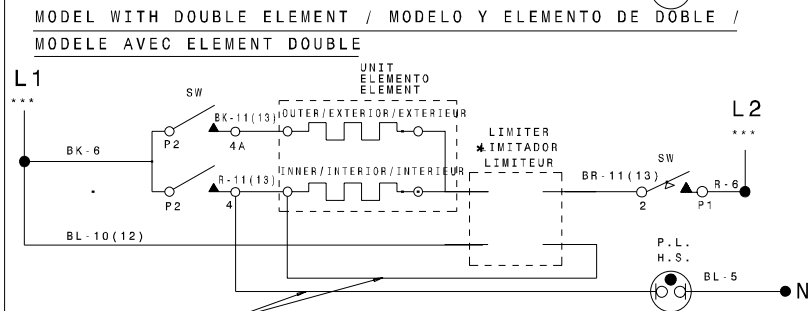
WIRING DIAGRAM



CODE / CODIGO / CODE	GAUGE/MEDIDA/ CALIBRE	TEMP. °C	STYLE/ESTILO/ STYLE	CSA	UL
1	18	125	CL1251	3173	
2	16	125	CL1251	3173	
3	14	125	CL1251	3173	
4	12	125	CL1251	3173	
5	18	150	EXL-150	3321	
6	16	150	EXL-150	3321	
7	14	150	EXL-150	3321	
8	12	150	EXL-150	3321	
9	10	150	EXL-150	3321	
10	18	200	SEW-1	3122	
11	16	200	SEW-1	3122	
** 12	18	250		3252	
** 13	16	250		3252	
14	20	150	EXL-150	3321	
15	8	150	EXL-150	3321	
16	8	60			
17	10	60			

*** NOTE:USED FOR CANADIANS MODELS
 ** NOTE:UTILIZADO PARA MODELOS CANADIENSES.
 ** NOTE:UTILISE POUR MODELES CANADIENS.

*** NOTE:USE PAGE 2 FOR GAGE AND WIRE COLOR.
 ** NOTE:UTILIZADO PARA PAGINA 2 PARA EL CALIBRE Y EL COLOR DE LOS CABLES.
 ** NOTE:UTILISER LA PAGE 2 POUR LE CALIBRE ET LA COULEUR DU FIL.



LEGENDA/LEYENDA/LEGENDE

SW. - SWITCH
 INTERRUPTOR
 INTERRUPTEUR

P.L. - PILOT LIGHT
 LAMPARA PILOTO
 LAMPE TEMOIN

R.F. - RIGHT FRONT
 FRENTE DERECHO
 AVANT DROIT

R.R. - RIGHT REAR
 TRASERO DERECHO
 ARRIERE DROIT

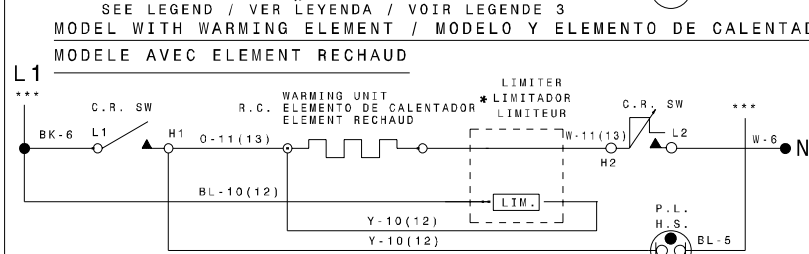
L.F. - LEFT FRONT
 FRENTE IZQUIERDO
 AVANT GAUCHE

L.R. - LEFT REAR
 TRASERO IZQUIERDO
 ARRIERE GAUCHE

R.C. - REAR CENTER
 TRASERO CENTRO
 ARRIERE CENTRE

L.C. - LEFT CENTER
 CENTRO DE IZQUIERDO
 CENTRE GAUCHE

H.S. - HOT SURFACE
 SUPERFICIE CALIENTE
 SURFACE CHAUDE



LEGENDE/LEYENDA/LEGEND 2
 Y-11(13) ON/EN/SUR L.R. POSITION/POSICION/POSITION
 W-11(13) ON/EN/SUR R.R. POSITION/POSICION/POSITION
 BR-11(13) ON/EN/SUR R.F. POSITION/POSICION/POSITION
 O-11(13) ON/EN/SUR L.F. POSITION/POSICION/POSITION

LEGENDE/LEYENDA/LEGEND 3
 MODEL WITH 4 PILOT LIGHT/MODELO Y 4 LAMPARA
 PILOTO / MODELE AVEC 4 LAMPES TEMOINS
 BR-10(12) ON/EN/SUR L.F. POSITION/POSICION/POSITION
 BL-10(12) ON/EN/SUR R.R. POSITION/POSICION/POSITION
 GY-10(12) ON/EN/SUR R.F. POSITION/POSICION/POSITION
 W-10(12) ON/EN/SUR L.R. POSITION/POSICION/POSITION

MODEL WITH 1 PILOT LIGHT/MODELO Y 1 LAMPARA
 PILOTO/MODELE AVEC 1 LAMPE TEMOIN
 J-10(12) ON ALL/TOUTES POSITIONS

REMARK:FOR CONNECTING THE PLATFORM SEE
 INSTALLATION SHEET OR USE AND CARE GUIDE

NOTA:PARA CONECTAR LA PARRILLA DE COCINAR,
 VER LA HOJA DE INSTALACION O EL MANUAL
 DEL USUARIO.

REMARQUE:POUR BRANCHER LA TABLE DE CUISSON
 VOIR LE FEUILLET D'INSTALLATION OU LE
 MANUEL D'UTILISATION ET D'ENTRETIEN.

COLOR CODE/CODIGOS/
 CODE COULEUR

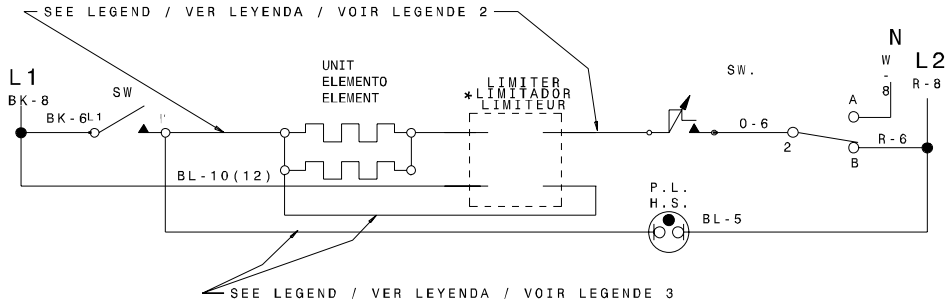
BL. - BLUE/AZUL/BLEU
 R. - RED/ROJO/ROUGE
 Y. - YELLOW/AMARILLO/JAUNE
 BK. - BLACK/NEGRO/NOIR
 W. - WHITE/BLANCO/BLANC
 O. - ORANGE/NARANJA/ORANGE
 BR. - BROWN/MORENO/BRUN

CAUTION: DISCONNECT POWER BEFORE SERVICING UNIT.
ATENCION: DESCONECTE LA ENERGIA ANTES DE REALIZAR EL MANTENIMIENTO DEL ELECTRODOMESTICO.
ATTENTION: COUPER LE COURANT AVANT D'EFFECTUER LA REPARATION

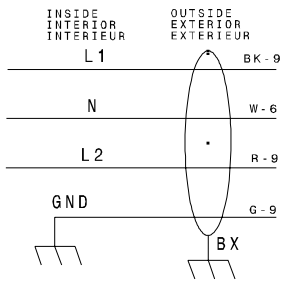
318046825 REVA
 P. 1

WIRING DIAGRAM

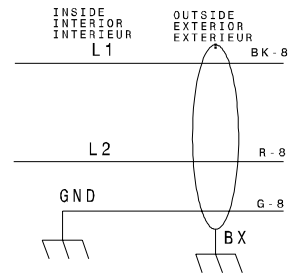
MODEL WITH REGULAR ELEMENT AND SELECTOR / MODELO Y ELEMENTO Y SELECTOR /
MODELE AVEC ELEMENT REGULIER ET SELECTEUR



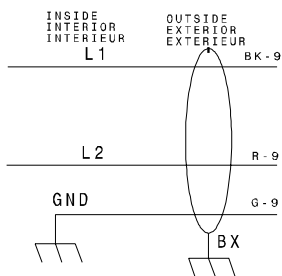
MODEL WITH WARMER ZONE / MODELO CON ZONA
DE CALENTADOR / MODELE AVEC ZONE RECHAUD



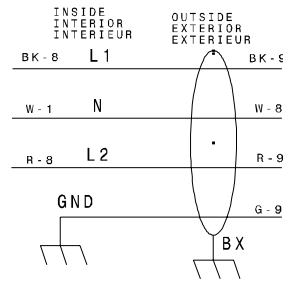
MODEL WITH 4 REGULAR UNITS / MODELO Y
QUATRO ELEMENTOS REGULARES /
MODELE AVEC ELEMENT REGULIER



MODEL WITH OTHERS / OTROS MODELOS /
AUTRE MODELES



MODEL WITH SIMMER SELECT / LOS MODELOS CON
SELECTOR DE HIRVE A FUEGO LENTO /
MODELE AVEC SELECTEUR MIJOTANT



CAUTION: DISCONNECT POWER BEFORE SERVICING UNIT.
ATENCIÓN: DESCONECTE LA ENERGIA ANTES DE REALIZAR EL MANTENIMIENTO DEL ELECTRODOMESTICO.
ATTENTION: COUPER LE COURANT AVANT D'EFFECTUER LA REPARATION

318046825 REV. A
 P. 2